

CLASSIC ADIRONDACK FOOTSTOOL

VISIT OUR WEBSITE AT www.choosefreedom.com TO ORDER PLANS

ITEM	QUANT	MATERIAL DESCRIPTION	COST EA.	COST TOTAL
1	4	1x2 Board, 8' Long, Cedar, Pine, Redwood, Your Choice!		
2	1	1x4 Board, 2' Long Minimum, Cedar, Pine, Redwood, Your Choice!		
3	1	1x8 Board, 4' Long Minimum, Cedar, Pine, Redwood, Your Choice!		
4	36	No. 8 x 1-1/4" Flathead Wood Deck Screw, Stainless Steel		
5	1	Outdoor Wood Glue		
6	1	Paint, Stain, or Wood Sealer		
7				
8				
TOTAL COST OF MATERIALS				

TOOLS REQUIRED

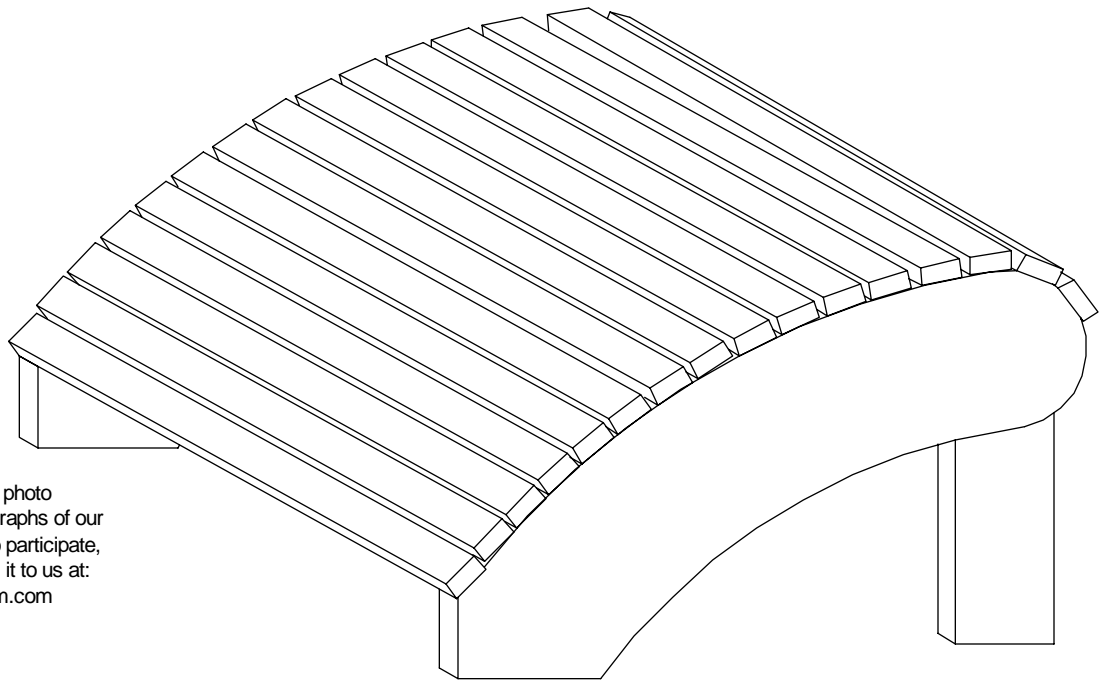
JIG SAW
DRILL
SCREW DRIVER
SANDING BLOCK

TOOLS RECOMMENDED

FINISHING SANDER
POWER MITER SAW
POWER SCREW DRIVER

COMPARE TO COST TO PURCHASE!!

NOTE: APPLY OUTDOOR WOOD GLUE TO ALL JOINTS.



We maintain a customer "do-it-yourself" photo album web page which features photographs of our customers projects. If you would like to participate, take a picture of your project and e-mail it to us at:
e-mail to: lrdesigns@choosefreedom.com

L & R Designs, LLC is not responsible or liable for the safety of any person building or using the items based on our plans.

There are no stated, assumed, or implied guarantees of the stability of this chair. Use at own risk.

These plans are copyright protected.
No unauthorized reproduction of these plans is allowed.

IMPORTANT: Before beginning this project, check that you printed these plans to the correct scale. With a ruler or tape measure, confirm the ruler below is exactly 6" long. If the ruler below is less or more, you have printed your adobe acrobat document incorrectly. In the print menu in adobe acrobat, make sure the box at the bottom left of menu that says "Shrink To Fit" is not checked! Also in the print setup menu, make sure the paper size is 8-1/2" x 11" and the orientation is portrait, not landscape.

