



# 4' SWINGING BENCH

THERE ARE MANY OPTIONS FOR TYPE OF WOOD TO USE DEPENDING ON WHETHER YOU PLAN TO STAIN OR PAINT. CONSULT YOUR LOCAL LUMBER YARD.

ITEM	QUANT	MATERIAL DESCRIPTION	COST
1	2	2" x 6" x 8'-0" Long	
2	3	2" x 4" x 8'-0" Long	
3	1	1" x 4" x 8'-0" Long	
4	13	1" x 2" x 8'-0" Long	
5	1	3/4" x 3/4" (Actual Dimensions) x 4'-0" Long	
6	1	1/4" Plywood, 24" x 24" Minimum Size	
7	6	1-1/4" Long Wood Screw, No. 6, Galvanized	
8	116	2" Long Wood Screw, No. 6, Galvanized (~1 lb)	
9	42	3" Long Wood Screw, No. 8, Galvanized (~1/2 lb)	
10	4	3/8" Diameter by 3-1/2" Long Hex. Head Bolt with Nut & Washer, Galvanized	
11	4	3" x 3" x 3/4" Wide "L" Bracket, SIMPSON A-33 or equal, Galvanized	
12	8	7/16" Diameter Lag Eye Bolt, Galvanized	
13	6'-0"	1/0 Chain, Galvanized	
14	8	7/16" Diameter Lap Link, Galvanized	
15	1	Bottle of Exterior Grade Wood Glue	
16	1	Stain or Pain as Desired	

**TOOLS REQUIRED:**

- SCREW DRIVER (PHILLIPS)
- DRILL WITH 1/8" & 7/16" DIA. BITS
- TABLE SAW, CIRCULAR SAW, OR CHOP SAW
- JIG SAW OR DETAIL HAND SAW
- 3/8" WRENCH OR SOCKET

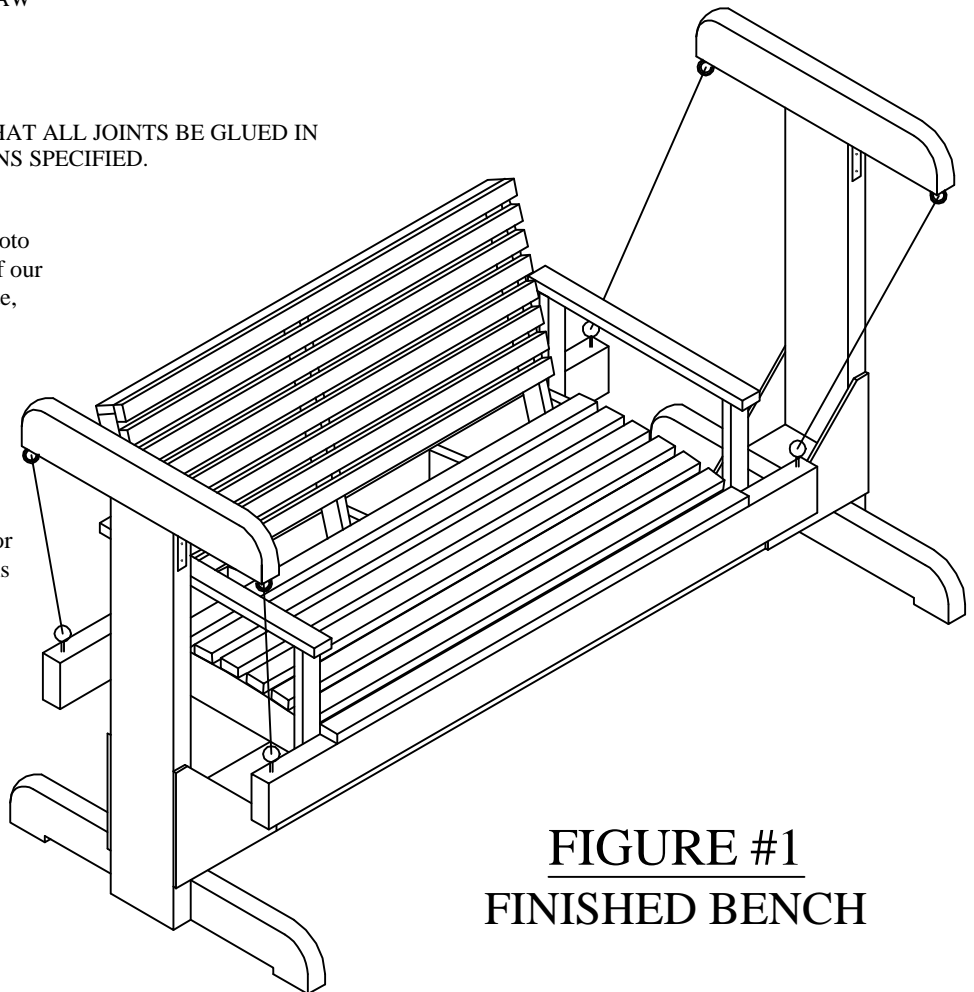
NOTE: IT IS RECOMMENDED THAT ALL JOINTS BE GLUED IN ADDITION TO THE CONNECTIONS SPECIFIED.

We are working on a customer "do-it-yourself" photo album web page which will feature photographs of our customers projects. If you would like to participate, take a picture of your project and either mail the photograph to us or scan it and e-mail it to us at:

mail to: L & R Designs, LLC  
 356 Holcomb Rd.  
 Kelso, WA 98626  
 e-mail to: lrdesigns@choosefreedom.com

L & R Designs, LLC is not responsible or liable for the safety of any person building or using the items based on our plans.

There are no stated, assumed, or implied guarantees of the structural integrity of this swinging bench.



**FIGURE #1**  
**FINISHED BENCH**

These plans are copyright protected.  
 No unauthorized duplication or use is allowed.