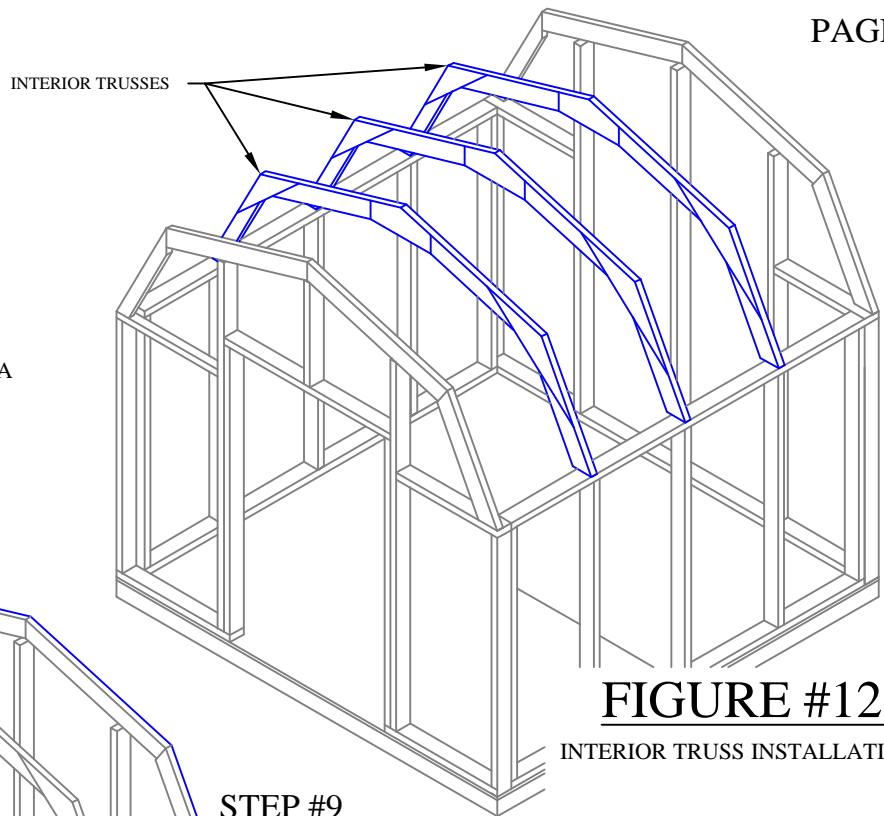


STEP #8

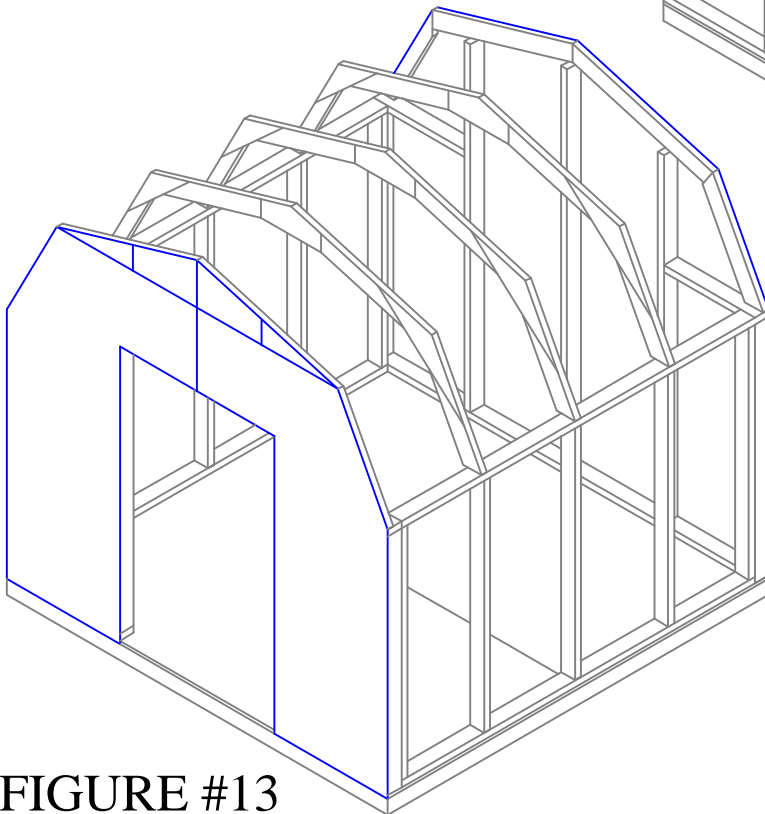
INSTALL INTERIOR TRUSSES ON LEFT AND RIGHT WALL PANELS AS SHOWN IN FIGURE #12. PLACE ONE TRUSS ON THE CENTER POINT OF THE SHED, PLACE OTHERS EQUALLY SPACED. TOE-NAIL EACH LEG OF EACH TRUSS INTO TOP PLATE OF SIDE WALLS WITH (5) 8d NAILS (4 THROUGH SIDES, 1 THROUGH END), EACH LEG. PLACE A SPARE 2x4 ACROSS TOP OF ALL TRUSSES AND FRONT AND BACK WALL PANELS AND NAIL TO EACH TRUSS (TEMPORARY) AFTER EACH TRUSS IS CHECKED FOR PLUMB.

**FIGURE #12**

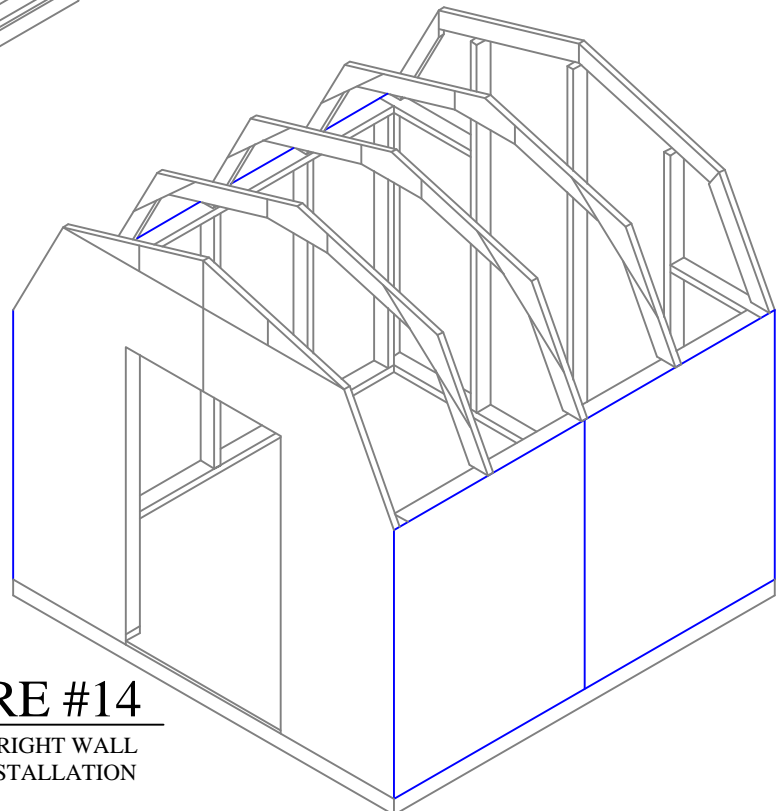
INTERIOR TRUSS INSTALLATION

STEP #9

INSTALL SHEETING ON FRONT AND BACK STUD WALLS AS SHOWN IN FIGURE #13. INSTALL SHEETS WITH TEXTURE LINES VERTICAL. CUT SHEETS TO FIT ON EACH SIDE OF DOOR AS SHOWN IN FIGURE. MEASURE LOCATION OF DOOR AND CUT OUT BEFORE PLACING SHEETS ON FRONT WALL. A PERFECT FIT IS NOT CRITICAL AT THIS TIME SINCE TRIM BOARDS WILL COVER UP ALL CUT EDGES OF SHEETING. NAIL WITH 6d NAILS @ 6" O.C. AROUND PERIMETER OF ALL SHEETS AND 12" O.C. ON INTERIOR OF ALL SHEETS WHERE SHEETS ARE OVER STUDS. FIELD MEASURE REMAINING UN-SHEETED PARTS OF FRONT AND BACK WALLS AT PEAK AN FILL IN WITH SIDING, CAREFUL TO MATCH TEXTURE LINES.

**FIGURE #13**FRONT AND BACK
SIDING INSTALLATION**STEP #10**

INSTALL SHEETING ON LEFT AND RIGHT STUD WALLS AS SHOWN IN FIGURE #14. CUT (4) 4x8 SHEETS OF SIDING TO 4' x 5' WITH TEXTURE LINES IN 5' DIRECTION. NAIL WITH 6d NAILS @ 6" O.C. AROUND PERIMETER OF ALL SHEETS AND 12" O.C. ON INTERIOR OF ALL SHEETS WHERE SHEETS ARE OVER STUDS.

**FIGURE #14**LEFT AND RIGHT WALL
SIDING INSTALLATION